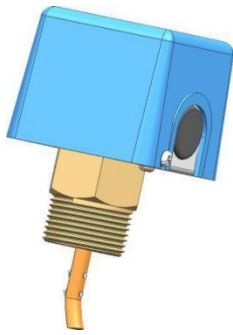


Type A - Brass



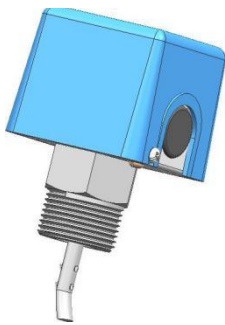
principle and characteristics

Mechanical flow switch with built-in spring-supported baffle. When the flow reaches the prefabricated value, the mechanical structure triggers the microswitch. SPDT output, small pressure loss, complete isolation of mechanical part and electronic part/large flow range, convenient adjustment setting, switch factory standard with a set of stopper (5), can be flexibly combined according to the site situation, suitable for a variety of pipelines, the switch has high reliability and good repeatability, strong anti-pollution ability.

product application

Pneumatic liquid dual purpose, industrial automation/mechanical equipment/air compression industry/refrigeration and air conditioning is suitable for diameter $\geq 25\text{mm}$ pipeline.

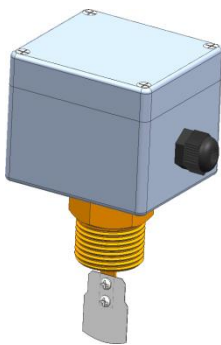
Model A - Stainless steel



technical specification

- ◆ Setting range: See the table below
- ◆ Repeatability: $\pm 2.5\%$ total range
- ◆ Wiring mode: terminal wiring
- ◆ Output: Switch Normally On + Normally Closed (250VAC,3A)
- ◆ Pressure: 16bar (brass), 40bar (stainless steel)
- ◆ Average pressure loss: 0.08bar(at maximum flow)
- ◆ Ambient temperature: $-25 \dots 80 \text{ }^\circ\text{C}$
- ◆ medium temperature: brass material 90°C , stainless steel material 180°C
- ◆ interface thread: R1 female thread
- ◆ Protection grade: IP33 (type A), IP67 (type B)
- ◆ materials:
- ◆ Body: stainless steel
- ◆ Shell material: engineering plastic/zinc alloy
- ◆ Process connection: brass/stainless steel
- ◆ baffle: stainless steel

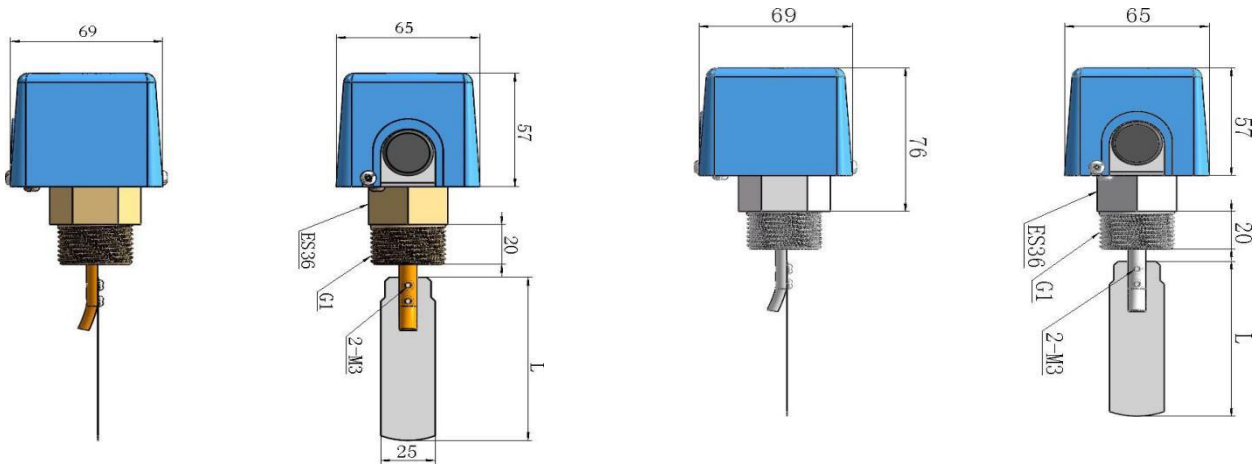
B



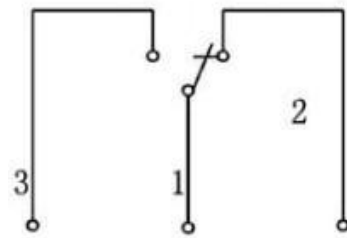
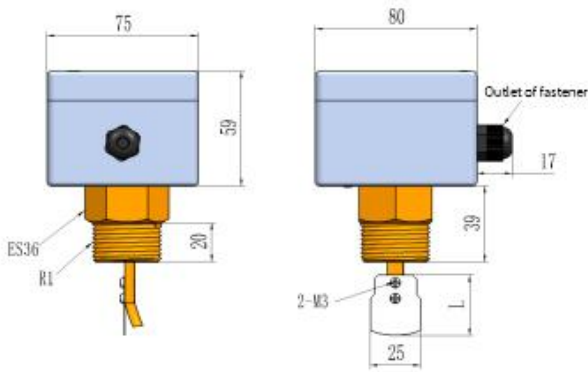
Applicable range of blade length and flow

blade length	Pipe diameter (adjustable range L/min)					
	1"	2"	3"	4"	5"	6"
1#	20-48	120-280				
2#		40-140	180-470	350-920		
3#			100-220	210-590	380-1400	
4#				160-450	330-1200	
5#					230-900	400-1800

dimension figure



wiring diagram



Selection table

SN41-	A	1	H	A	specification	weight
SN41-					SN41 series baffle type flow switch	
	A				A	
	B				B	
		1			Threaded interface R1	
			H		RA	
				A	Process connection: Brass material	0.55
				B	Process connection: stainless steel material	0.85

* Please indicate medium flow direction, medium type, pipe diameter and expected set value when ordering. We can complete the setting for you at the factory.

* For viscous media, please indicate viscosity, temperature and type of media.

* For gaseous media, please indicate pressure (gauge/absolute pressure), temperature and medium type.

* Micro switch can be imported according to customer requirements of two options.

* The selection table is only available for parameter selection, and the corresponding code is delivered.