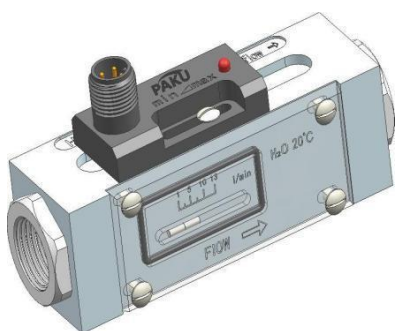
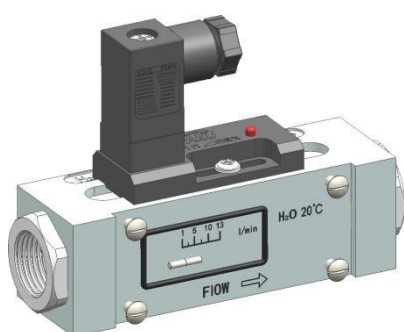


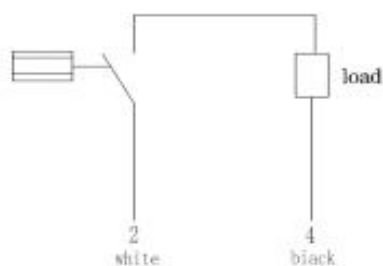
Insertion fitting



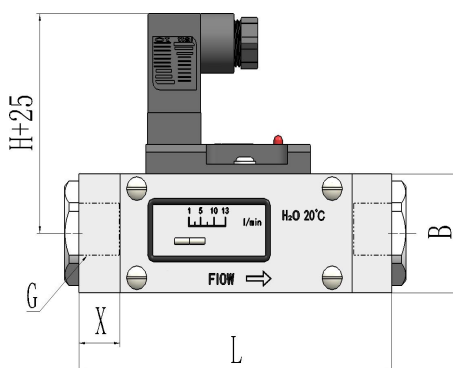
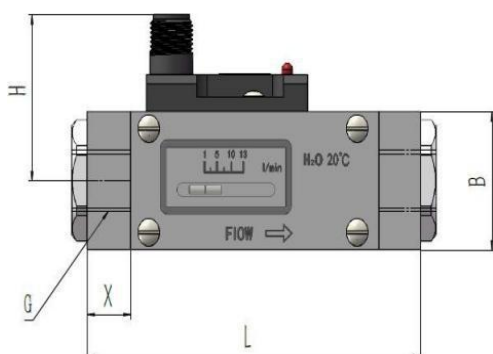
Hersman type



wiring diagram



dimension figure



principle and characteristics

On-line installation, mechanical flow switch, for liquid or gaseous media. Rugged plastic, aluminum or stainless steel housing is optional. Minimal pressure loss, good repeatability, anti-fouling ability, complete isolation of mechanical part and electronic part, suitable for low flow economy type. With a switch setting scale, users do not need to set in the field. The LED shows the switching status, and the magnetic beads on the panel show the flow rate.

product application

Pneumatic liquid dual purpose, industrial automation/mechanical equipment/air compression industry/refrigeration and air conditioning.

technical specification

- ◆ Setting range: See the parameter table for details
- ◆ Accuracy: $\pm 5\%$ of total range
- ◆ HySTERESIS: Depends on switching point, minimum 0.3L/Min
- ◆ Switch setting scale: it is calibrated in water medium, temperature 20° C, horizontal installation state. The installation location, medium and temperature changes may affect the switch value slightly
- ◆ LED display: DC power supply LED display switch status, AC without LED display
- ◆ AC without LED display
- ◆ Output: Dry reed switch, capacity 24VDC/250VAC,100mA
- ◆ pressure: 10bar(plastic), 50bar (aluminum type), 100bar (stainless steel)
- ◆ Average pressure loss: 0.3bar (at 25L/min)
- ◆ Medium temperature: 100° C Max
Protection grade: IP65
- ◆ FD20... Material: Shell: POM plastic
Piston :POM plastic
Spring: Stainless steel seal: NBR
- ◆ FD20... L Material: Shell: anodized alumina
Piston: POM plastic
Spring: Stainless steel seal: NBR
- ◆ FD20... Material: Shell: stainless steel
Piston: POM plastic
Spring: Stainless steel seal: NBR

parameter list

型号	压力 bar	最大流量 L/mi (水)	可调范围 L/min (水)	G mm	L mm	H mm	B mm	X mm
SN32B-008...2(3)B	50	40	0.6 (0.1) -8 (7)	G1/4	93	36	30	12
SN32B-010...2(3)B	50	40	0.6 (0.1) -8 (7)	G3/8	93	36	30	15
SN32B-015...2(3)B	50	40	0.6 (0.1) -8 (7)	G1/2	93	36	30	15
SN32B-020...2(3)B	50	40	0.6 (0.1) -8 (7)	G3/4	105	38.5	35	15
SN32B-025...2(3)B	50	40	0.6 (0.1) -8 (7)	G1	105	41	40	15
SN32B-008...2(3)C	50	40	1 (0.5) -15	G1/4	93	36	30	12
SN32B-010...2(3)C	50	40	1 (0.5) -15	G3/8	93	36	30	15
SN32B-015...2(3)C	50	40	1 (0.5) -15	G1/2	93	36	30	15
SN32B-020...2(3)C	50	40	1 (0.5) -15	G3/4	105	38.5	35	15
SN32B-025...2(3)C	50	40	1 (0.5) -15	G1	105	41	40	15
SN32B-015...2(3)D	50	40	2 (0.8) -25	G1/2	93	36	30	15
SN32B-020...2(3)D	50	40	2 (0.8) -25	G3/4	105	36	35	15
SN32B-025...2(3)D	50	40	2 (0.8) -25	G1	105	36	40	15
SN32B-020...2(3)F	50	100	27 (21) -70	G3/4	105	38.5	35	15
SN32B-025...2(3)F	50	100	27 (21) -70	G1	105	41	40	15

Selection table

SN32B-	008	G	D	D	1	A	A	1	specification
SN32B-									SN32B series field display type piston flow switch
	008								Interface thread G1/4
	010								Interface thread G3/8
	015								Interface thread G1/2
	020								Interface thread G3/4
	025								Interface thread G1
		G							internal thread
			D						DC DC24V ± 20% power supply
			J						AC AC230V ± 15% power supply
				D					No LED indicator
				W					LED indicator (for DC24V only)
					1				plastic casing
					2				Anodized aluminium shell
					3				stainless steel housing
						A			setting range: 0.3--7L/min
						B			setting range: 0.6--8L/min
						C			setting range: 1--15L/min
						D			setting range: 2--25L/min
						E			setting range: 5--40L/min
						F			setting range: 27--70L/min
							A		Connector type (standard with 2 meters of wire)
							B		Hersman type
								1	1 switch point output

* Customizable thread, H for external thread, G for internal thread

* Please indicate medium flow direction, medium type, pipe diameter and expected set value when ordering. We can complete the setting for you at the factory

* For gaseous media, please indicate pressure (gauge pressure/absolute pressure), temperature and type of media

* The selection table is only available for parameter selection, and the corresponding code is delivered.