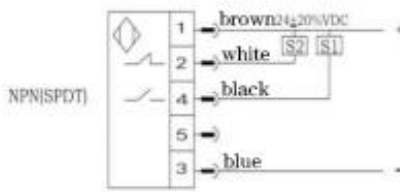
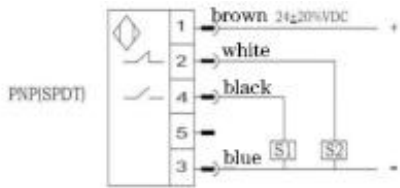




principle and characteristics

Based on the thermal principle, the sealed probe contains two resistors, one of which is not heated as the detection resistor, the other is not heated as the reference resistor. When the medium flows, the heat on the heating resistor is taken away, the resistance value is changed, and the difference between the two resistors is used as the basis to judge the flow rate. No moving parts, maintenance-free, easy installation, one model is suitable for a variety of pipe diameter requirements, switching continuously adjustable, extremely low pressure loss, compact structure, LED display flow trend and switch status.

wiring diagram



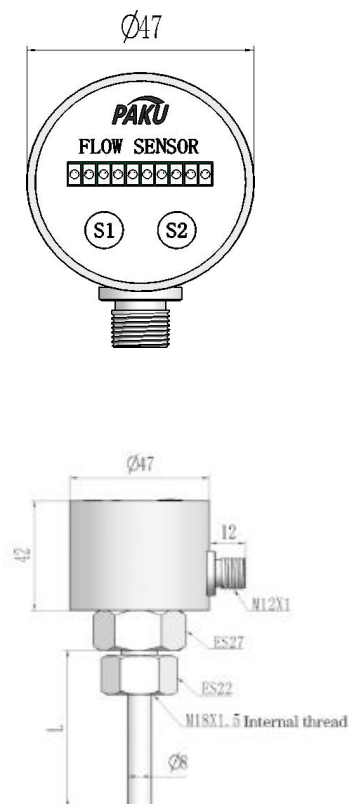
product application

Pneumatic and hydraulic dual purpose, low flow rate alarm, can be used for pneumatic and hydraulic systems, can be used for circulating water, cutting fluid and lubricating oil cut-off detection, and pump idling protection.

technical specification

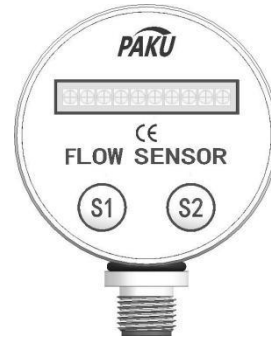
- ◆ setting range: 1...150cm/s(water)
3...300cm/s(oil) ,
20...2000cm/s(air)
- ◆ Signal output: PNP, NPN
- ◆ power supply: 24V ± 20%DC
- ◆ Switch on current: maximum 400mA(PNP or NPN type)
- ◆ No-load current: Max. 80mA
- ◆ Flow indicator: LED row (10)
- ◆ Setting method: button
- ◆ Voltage range: 100bar
- ◆ Temperature gradient: ≤ 4° C/S
- ◆ Response time: 1-13s, typical 2s
- ◆ initialization time: about 8s
- ◆ Electrical protection: reverse phase, short circuit, overload protection
- ◆ Protection grade: IP67
- ◆ Medium temperature: -20-80° C
- ◆ Ambient temperature: -20-80° C
- ◆ Storage temperature: -20-100° C
- ◆ Wiring mode: M12 connector/optional with 2 meters wire directly
- ◆ Material: Probe: stainless steel
- ◆ shell: stainless steel
- ◆ Weight: about 0.4kg

dimension figure



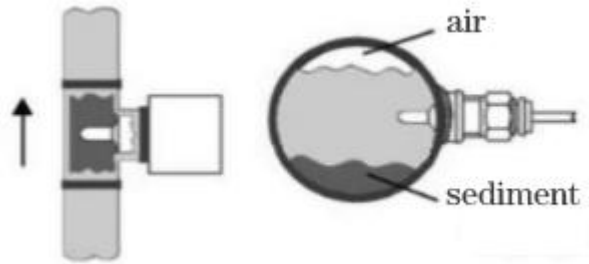
Panel setting process

- Press S1 key and S2 key arbitrarily once and the red light flashes
- Press S1 or S2 again to move the switch point
- Long press S2 to set the maximum flow
- Long press S1 to set the flow minimum



installation instructions

- For vertical installation, it should be installed on the pipe section flowing from bottom to top.
- When mounted horizontally, the probe should be kept away from air and sediment.



Selection table

SN13B	-	G2H	A	1	X	A	30	specification
SN13B	-							SN13B series electronic flow switch
		M1K						Interface thread M18*1.5 internal thread With the installation accessories, it is convenient to rotate and adjust the
		G2H						Interface thread G1/2 female thread
		G4H						Interface thread G1/4 male thread
		K5						Chuck connection (outside diameter Custom threads, such as NPT1/2, type N12
			A					DC DC24V ± 20% power supply
				1				PNPoutput
				2				NPNoutput
					X			Probe material: 304 stainless steel
					XL			Probe material: 316L stainless steel
						A		Connector type (standard with 2 meters of
						B		Straight out
							30	Probe rod length unit mm (including thread)
							L	Customized probe rod length unit mm

- * The factory is standard equipped with electrical accessories M12 connector type ZL05-PU02FG
- * Select M18*1.5 internal thread installation mode, please pay attention to the selection of installation accessories
- * Customizable thread, H for external thread, K for internal thread
- * For selection of electrical accessories and installation accessories, please refer to the appendix page on page -
- * The selection table is only available for parameter selection, and the corresponding code is delivered.